



# ORDER FORM NOTE

---

---

---

COMPANY

ADDRESS

CONTACT NAME

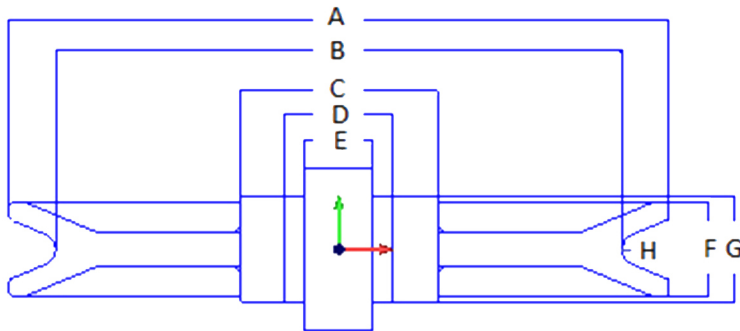
EMAIL

REFERENCE No.

PHONE

CELL

FAX



A. \_\_\_\_\_  
Outside Diameter

B. \_\_\_\_\_  
Groove Diameter

C. \_\_\_\_\_  
Hub Diameter

D. \_\_\_\_\_  
Bore

E. \_\_\_\_\_  
Shaft

F. \_\_\_\_\_  
Rim

G. \_\_\_\_\_  
Hub Width

H. \_\_\_\_\_  
Rope Diameter

### Bearing Type

- Deep Groove    Tapered Roller    Needle Roller    Seal    Heavy Duty

### Bush Type

- Self Lubricating    Grease Groove

### Dimension Measurement

- Metric    Imperial

MATERIAL

APPLICATION INFO

SPECIAL REQUIREMENTS

### CONTACT US

#### Address:

580 Arvin Ave., Unit 2, Stoney Creek, ON

#### Primary Administrative Contact:

(905) 643-5307

#### Shop Management Contact:

(905) 317-2337

#### Fax:

(905) 643-7740



Established in 2005, Bormill Incorporated has since made a strong presence in the mining industry. We continuously strive to offer the highest quality to our customers and future clientele. 100% satisfaction is guaranteed in our machined parts. We are proud and passionate about the work, we strive for perfection in our workmanship. Our priority is perfection down to a thousandth of an inch.